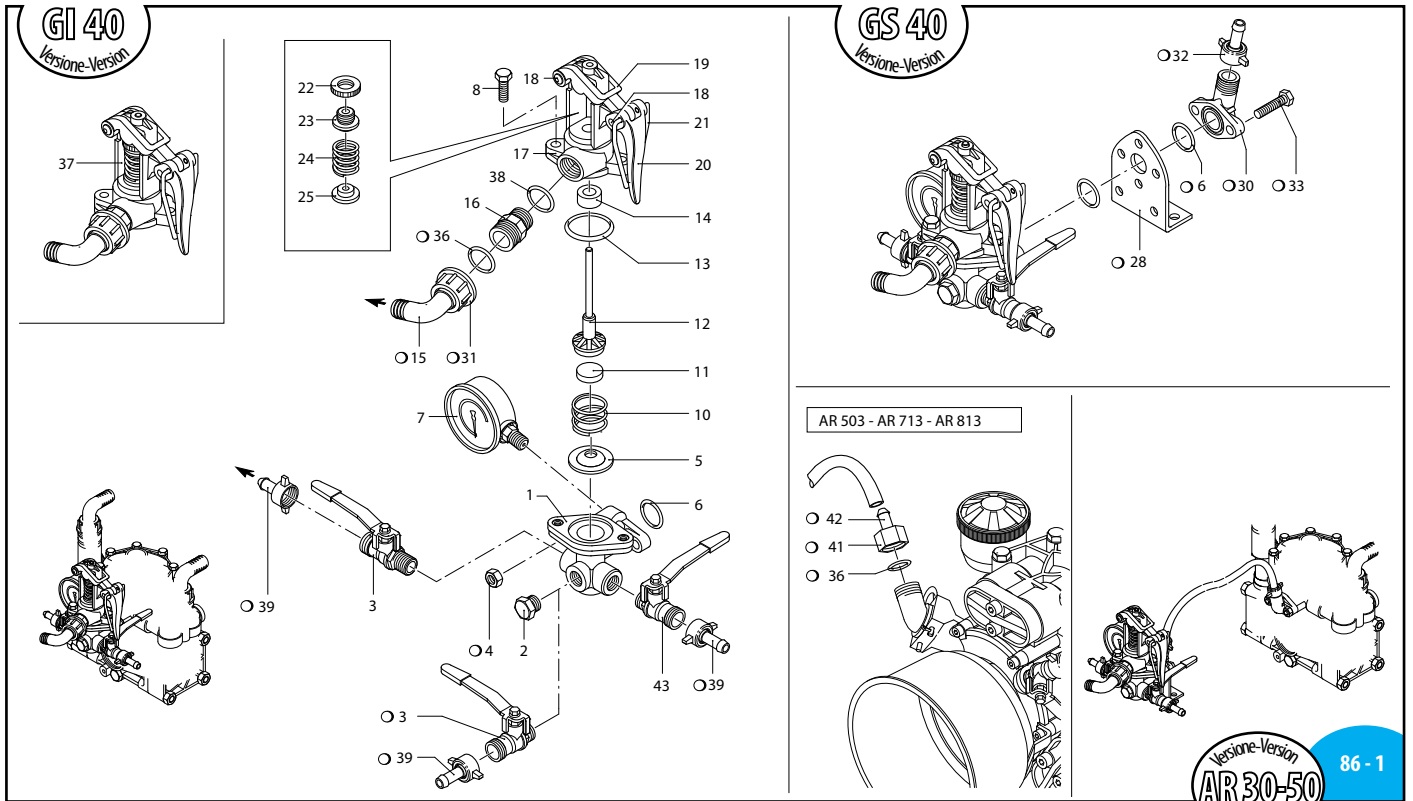


ANNOVIREVERBERI

GI 40

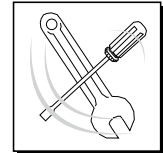
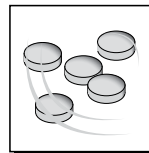


SL000113-GY

Pos.	Cod.	Descrizione	Description	Q.ty	Note
1	620220	Gruppo comando	Control unit	1	
2	130171	Tappo 3/8" G	Plug	1	ex 30171 ⚙ C ₂₀
3	130491	Rub. 3/8"-1/2" G (M) DX	Right valve	2	ex 30491 ⚙
4	390270	Dado M 8	Nut	2	C ₂₀
5	450110	Sede valvola	Valve seat	1	
6	550350	OR ø 23,81x2,62	O-Ring	2	
7	550545	Manometro ø 63	Pressure gauge	1	0-80 bar ⚙
8	180370	Vite TE M 8x25	Bolt	2	C ₂₀
10	320420	Molla castello	Spring	1	
11	110121	Pastiglia	Valve seat	1	Vulkolan
11	110120	Pastiglia	Valve seat	1	Gomma
11	110122	Pastiglia	Valve seat	1	Viton
12	320433	Funghetto completo	Stem	1	
13	320511	OR ø 37,8x4 ovalizzato	O-Ring	1	
14	390140	Guarnizione	Gasket	1	
14	390141	Guarnizione	Gasket	1	Viton
15	550460	Curva ø 18	Elbow	1	
16	550440	Niples 1/2"-3/4" G(M)	Threaded adapter	1	
17	320410	Castello valvola	Body valve	1	
18	320480	Perno forcella	Pin	2	
19	320460	Forcella	Fork	1	
20	320470	Leva comando	Lever	1	
21	320490	Tirante	Locking clip lever	1	
22	320450	Piattello registro	Plate register	1	
23	320440	Registro valvola	Valve register	1	
24	110190	Molla	Spring	1	
25	230120	Piattello guida molla	Plate	1	
28	320406	Staffa GS	Bracket	1	
30	450145	Flangia raccordo	Flange	1	
31	550450	Girello 3/4" G	Ring nut	1	
32	110130	Racc. 1/2" G+hose ø13	Fitting 1/2" G+hose ø13	1	ex 10130
33	160660	Vite TE M 8x35	Bolt	2	C ₁₀
36	880830	OR ø 15,54x2,62	O-Ring	2	
37	1923	Valvola regolazione	Regulating valve	1	
38	180101	OR ø 17,5x2	O-Ring	1	
39	110131	Racc. 1/2" G+tub. ø10	Fitting 1/2" G+hose ø10	3	ex 10131
41	1040790	Girello raccordo 3/4" G	Ring nut	1	
42	1150580	Portagomma ø 13	Hose tail	1	

Pos.	Cod.	Descrizione	Description	Q.ty	Note
43	130492	Rub. 3/8"-1/2" G (M) SX	Left valve	1	ex 30492 ⚙

⊙ Non compreso nel GI 40 - No part of GI 40



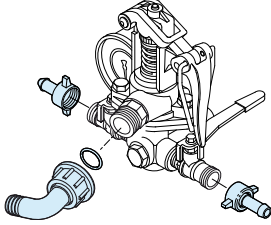
KIT 1921 Pastiglie gomma Buna valve seats		KIT 1922 Pastiglie Vulkolan Vulkolan valve seats	
Pos.	Q.ty	Pos.	Q.ty
11		11	
5		5	

KIT 1925 Pronto intervento Maintenance repair			
Pos.	Q.ty	Pos.	Q.ty
5	1		
10	1		
11	1		
12	1		
13	1		
14	1		

GI 40

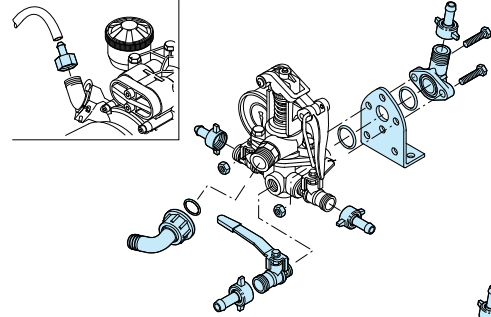
Kit per/for GI 40

KIT 977 "I"

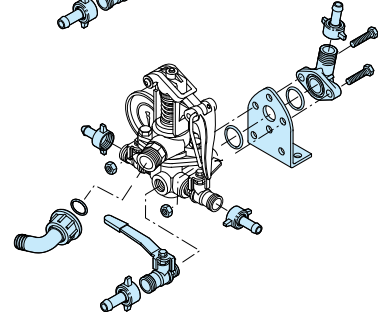


SL000114GY

KIT 980 "S"



KIT 982 "S"



SL000027KA

Comando incorporato e separato - Build-in control unit and remote control

KIT 977 "I" Comando incorporato Build in control

Pos.	Q.ty	Pos.	Q.ty
15	1		
31	1		
36	1		
39	2		
Per / for AR 30 - AR 50 - AR 303 - AR 403			

KIT 980 "S" Comando separato Remote control

Pos.	Q.ty	Pos.	Q.ty
3	2		
4	2		
6	2		
15	1		
28	1		
30	1		
32	1		
33	2		
36	2		
39	3		
Per / for AR 30 - AR 50 - AR 303 - AR 403			

KIT 982 "S" Comando separato Remote control

Pos.	Q.ty	Pos.	Q.ty
3	2	41	1
4	2	42	1
6	2		
15	1		
28	1		
30	1		
32	1		
33	2		
36	2		
39	3		
Per / for AR 503			

Gruppi comando
Control units