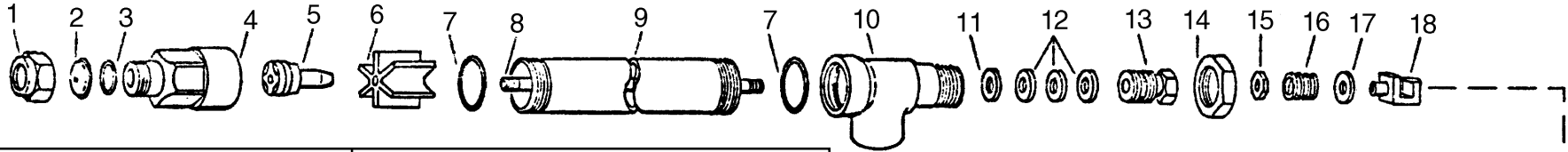
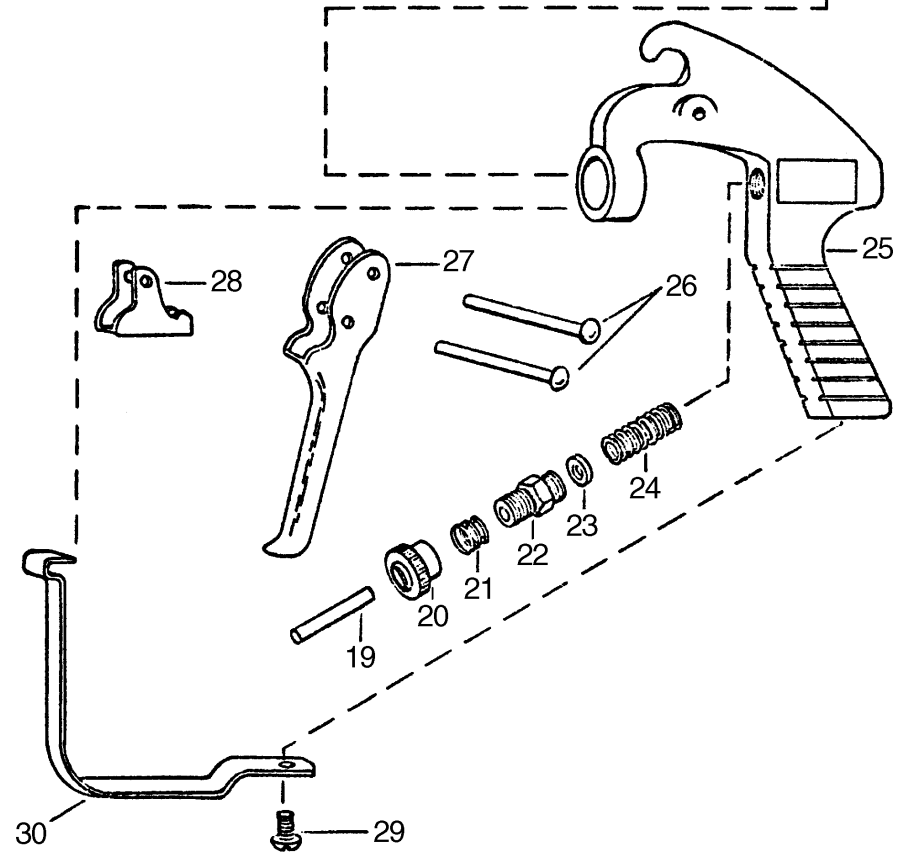


# No. 43L & No. 43H GUNJETS (13" Extension)



| Item   | Part No.               |                        | Description  |
|--|------------------------|------------------------|--|
|  | Brass (#43-)           | Aluminum (#43-AL)      |  |
| 1  | 1325                   | 1325-AL                | Cap, Brass or Aluminum   |
| 2  | D-**                   | D-**                   | Orifice disc, hardened stainless steel   |
| *3   | 4743-NY                | 4743-NY                | Gasket, nylon  |
| 4  | 10566                  | 10566-AL               | Nozzle housing, brass or aluminum  |
| *5   | 10565                  | 10565-AL               | Seat plug, seat plate, washer & core subassy.  |
| 6  | 10571                  | 10571-AL               | Guide vane, brass or aluminum  |
| 7  | 6943-AL                | 6943-AL                | Gasket, aluminum (2 Req'd)   |
| 8  | 19238-416SS            | 19238-416SS            | Stem, type 416 stainless steel   |
| 9  | 6604                   | 6604-AL                | Tubing, brass or aluminum  |
| 10   | 6492                   | 6492-AL                | Inlet body, brass or aluminum  |
| *11  | 6601-302SS             | 6601-302SS             | Packing washer, type 302 stainless steel   |
| *12  | 6602-LEA<br>6602-TEF   | 6602-LEA<br>6602-TEF   | Packing, leather (3 Req'd) (Standard)<br>Packing, teflon (3 Req'd) (Optional)        |
| 13   | 19237                  | 19237-AL               | Packing screw, brass or aluminum   |
| 14   | 6599                   | 6599-IZP               | Locknut, brass or steel-zinc plated  |
| 15   | 9641-INP               | 9641-INP               | Stem nut, steel-nickel plated  |
| 16   | 6595-SS                | 6595-SS                | Trigger stop spring, stainless steel   |
| 17   | 7991-IZP               | 7991-IZP               | Washer, steel-zinc plated  |
| 18   | 6597-INP               | 6597-INP               | Trigger guide, steel-nickel plated   |
| 19   | 6591-SS                | 6591-SS                | Spring stud, stainless steel   |
| 20   | 6589-IZP               | 6589-IZP               | Stop adj nut, steel-zinc plated  |
| 21   | 6594-SS                | 6594-SS                | Spring for Stop adj nut, stainless steel   |
| 22   | 6588-IZP               | 6588-IZP               | Spring screw, steel-zinc plated  |
| 23   | 6592-302SS             | 6592-302SS             | Spring guide washer, type 302 stainless steel  |
| 24   | 6593-1-SS<br>6593-2-SS | 6593-1-SS<br>6593-2-SS | Main spring, stainless steel (For #43L-)<br>Main spring, stainless steel (For #43H-) |
| 25   | 14477-1-AL             | 14477-1-AL             | Handle body, aluminum  |
| 26   | 7623-IZP               | 7623-IZP               | Rivet, steel-zinc plated (2 Req'd)   |
| 27   | 6509-INP               | 6509-INP               | Trigger, steel-nickel plated   |
| 28   | 6510-INP               | 6510-INP               | Trigger stop, steel-nickel plated  |
| 29   | 11757-INP              | 11757-INP              | Screw, steel-nickel plated   |
| 30   | 13798-INP              | 13798-INP              | Trigger Guard, steel-nickel plated   |
| Gunjet No. 43L- Brass, complete, for pressures up to 200 PSI             |                        |                        |  |
| Gunjet No. 43L-AL- Aluminum, complete, for pressures up to 200 PSI       |                        |                        |  |
| Gunjet No. 43H- Brass, complete, for pressures from 200 to 800 PSI       |                        |                        |  |
| Gunjet No. 43H-AL- Aluminum, complete, for pressures from 200 to 800 PSI |                        |                        |  |
| AB43-KIT Spare Parts Kit (Includes all items marked with *)              |                        |                        |  |
| AB43-AL-KIT Spare Parts Kit (Includes all items marked with *)           |                        |                        |  |
| ABCK43-KIT (Conversion kit for Adj. stem) - items 8, 13 & 15)            |                        |                        |  |
| ABCK43-AL-KIT (Conversion Kit for Adj. Stem) - Items 8, 13 & 15)         |                        |                        |  |



\*\*Specify Orifice Disk Size