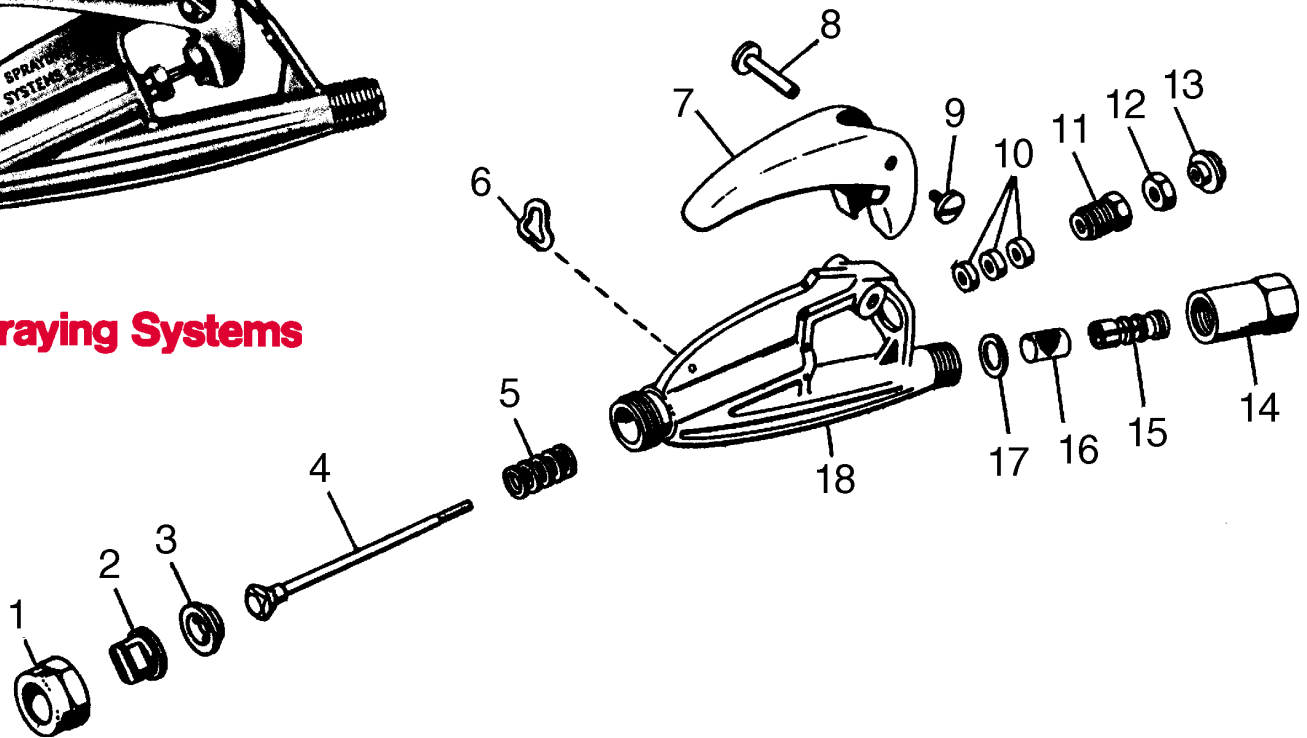
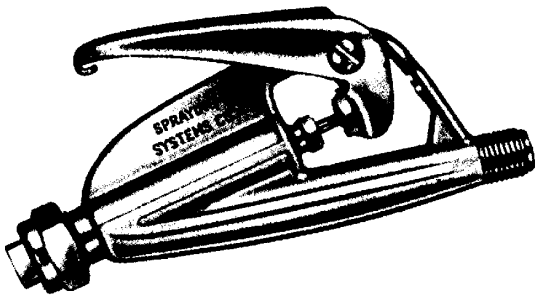


No. 31 GUNJET



| Item | Part No. | Description |
|------|-------------|---|
| 1 | 1325 | Cap Brass |
| 2 | | Spray tip |
| *3 | 7490-BRTF | Seat, brass & teflon (Standard) |
| | 7490 | Seat, brass (Optional) |
| | 7490-L | Seat, lead (Optional) |
| *4 | 9032-1-BRSS | Sub-Assembly, stainless steel stem & brass guide |
| *5 | 9134-302SS | Spring, stainless steel, type 302 |
| 6 | 9108-304SS | Trigger lock wire, stainless steel, type 304 (for #31TL-Only) |
| 7 | 9033-INP | Trigger, steel-nickel plated |
| 8 | 9034-1-IZP | Screw housing, steel-zinc plated |
| 9 | 9034-2-IZP | Screw, steel-zinc plated |
| *10 | 7487-1-TEF | Packing, teflon (3 Req'd) (Standard) |
| | 7487-LEA | Packing, leather (4 Req'd) (Optional) |
| 11 | 7485-NP | Packing screw, brass-nickel plated |
| 12 | 9035 | Locknut, brass |
| 13 | 9036 | Nut, brass |
| 14 | 8633-NP | Strainer body, brass-nickel plated (Optional) |
| 15 | 8634 | Screen support, brass (Optional) |
| 16 | 3929--M | Monel screen, 50 or 100 mesh (Optional) |
| 17 | 8635-NY | Gasket, nylon (Optional) |
| 18 | 9062 | Body, brass (For #31) |
| | 9062-1 | Body, brass (For #31 - 1/4 F) |
| | 9062-2 | Body, brass (For #31 TL) |
| | 9062-3 | Body, brass (For #31 TL - 1/4 F) |
| | | #31 Gunjet without trigger lock |
| | | #31 TL Gunjet with trigger lock |
| | | AB31-Kit-Spare Parts Kit (Includes all items marked with *) |