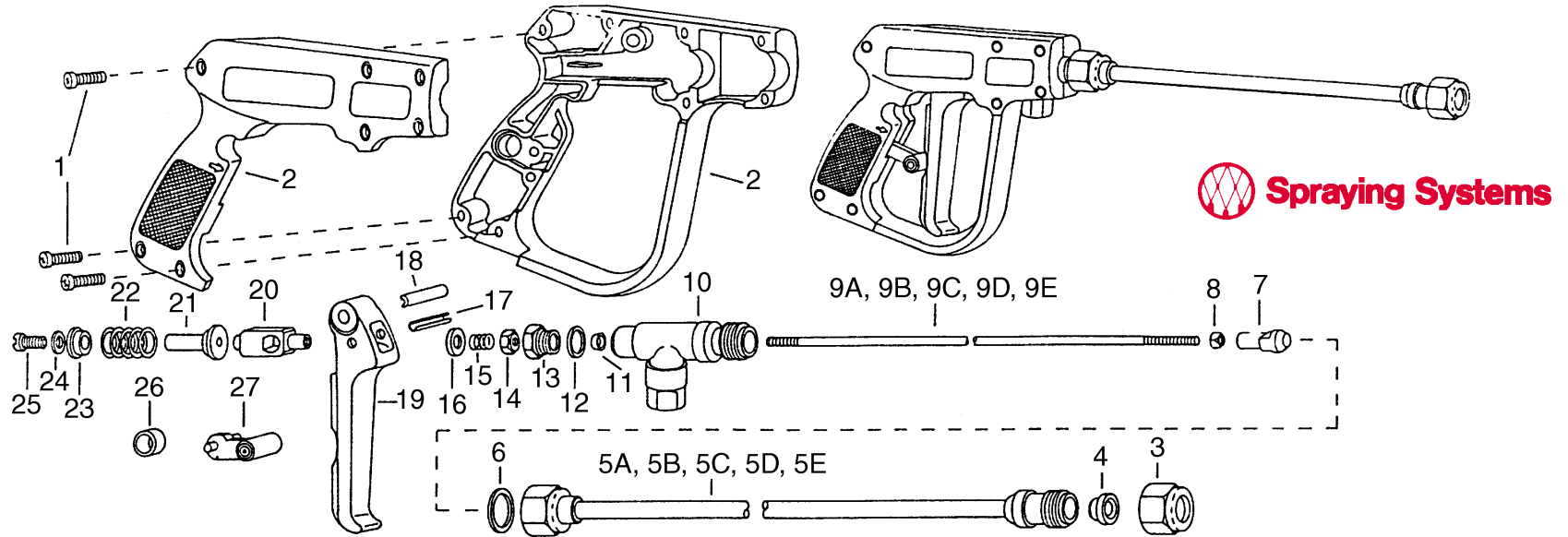


# No. AA30L-22425 GunJet w/ Extension



Item	Part No.	Description
1	CP17103-IZP	Screw, steel, zinc plated (7 req'd)
2	CP19684-1-NYB	Right and left hand housing set, nylon (black)
3	CP1325	Cap, brass
4	CP7490-BRTF	Valve seat sub-assy., brass and teflon
5A	CP7715-8	Extension, brass (for 8" length)
	22426-8	Extension assy., (includes items 5A, 6, 7, 8 & 9A)
5B	CP7715-18	Extension, brass (for 18" length)
	22426-18	Extension assy., (includes items 5B, 6, 7, 8 & 9B)
5C	CP7715-24	Extension, brass (for 24" length)
	22426-24	Extension assy., (includes items 5C, 6, 7, 8 & 9C)
5D	CP7715-36	Extension, brass (for 36" length)
	22426-36	Extension assy., (includes items 5D, 6, 7, 8 & 9D)
5E	CP7715-48	Extension, brass (for 48" length)
	22426-48	Extension assy., (includes items 5E, 6, 7, 8 & 9E)
6	CP4743-TEF	Gasket, teflon
7	CP7678	Stem end, brass
8	CP7679-1	Stem guide nut, brass
9A	CP22427-8-SS	Stem, stainless steel (for 8" extension)
9B	CP22427-18-SS	Stem, stainless steel (for 18" extension)
9C	CP22427-4-SS	Stem, stainless steel (for 24" extension)
9D	CP22427-36-SS	Stem, stainless steel (for 36" extension)
9E	CP22427-48-SS	Stem, stainless steel (for 48" extension)
10	CP22136	Inlet body, brass

Item	Part No.	Description
11	CP14255-1-BU	Packing cup, buna-n
12	CP19812-AL	Gasket, aluminum
13	CP19811	Packing screw, brass
14	CP7484-INP	Stem nut, steel, nickel plated
15	CP7489-SS	Trigger stop spring, type 302 stainless steel
16	CP7622-IZP	#6 Burr, steel, zinc plated
17	CP17720-420SS	Roll pin, type 420 stainless steel
18	CP19820-420SS	Roll pin, type 420 stainless steel
19	CP17703-NY	Trigger, nylon (yellow)
20	CP19810	Trigger guide, brass
21	CP19815	Spring guide, brass
22	CP22138-302SS	Spring, type 302 stainless steel
23	CP19816	Spring retainer, brass
24	CP19819-SS	Washer, type 18-8 stainless steel
25	CP19818-IZP	Screw, steel, zinc plated
26	CP19805-CE	Lock spring ring, celcon
27	CP19806-NY	Trigger lock nylon (yellow)
		No. AA30L-22425-8, GunJet with 8" Extension
		No. AA30L-22425-18, GunJet with 18" Extension
		No. AA30L-22425-24, GunJet with 24" Extension
		No. AA30L-22425-36, GunJet with 36" Extension
		No. AA30L-22425-48, GunJet with 48" Extension