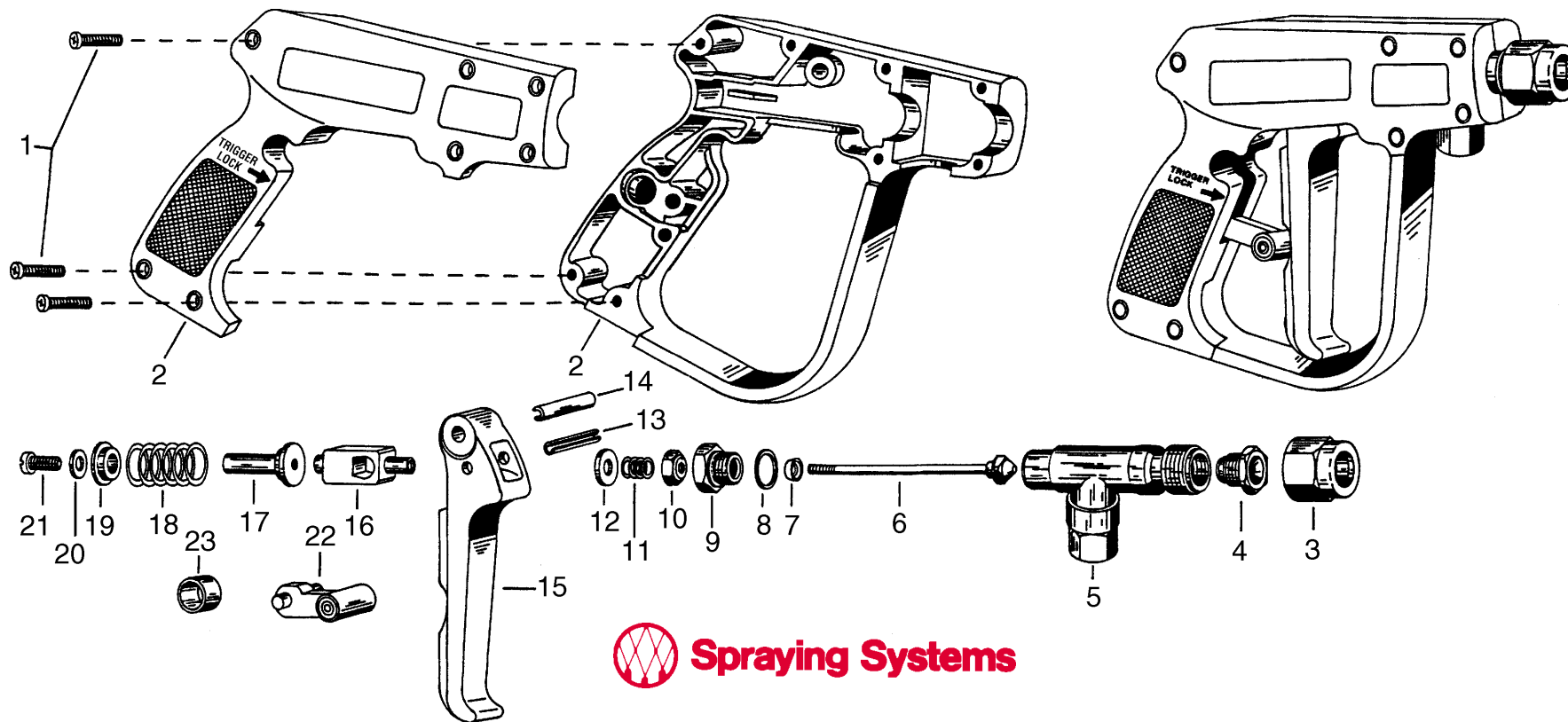


No. AA30-1/4 & AA30W-1/4 GUNJET Spray Guns



ITEM	PART NO.	DESCRIPTION
1	CP17103-IZP	Screw, Steel, Zinc Plated (7 Req'd)
2	CP19684-NYB	Right and Left Hand Housing Set, Nylon (Black)
3	CP7890-INP	Cap, Steel, Nickel Plated
* 4	CP19813-BRBTEF	Valve Seat Sub-Assembly, 60% Bronze Filled Teflon (For Model #30-1/4)
	CP19813-1-BRBTEF	Valve Seat Sub-Assembly, 60% Bronze Filled Teflon (For Model #30W-1/4)
5	CP19804	Inlet Body Brass
* 6	CP198070BR302S	Stem Sub-Assembly, Brass and Type 302 Stainless Steel
* 7	CP14255-1-BU	Packing Cup, Buna-N
* 8	CP19812-AL	Gasket, Aluminum
9	CP19811	Packing Screw, Brass
10	CP7484-INP	Stem Nut, Steel, Nickel Plated
11	CP7489-SS	Trigger Stop Spring, Type 302 Stainless Steel
12	CP7622-IZP	#6 Burr, Steel, Zinc Plated

ITEM	PART NO.	DESCRIPTION
13	CP17720-420SS	Roll Pin, Type 420 Stainless Steel
14	CP19820-420SS	Roll Pin, Type 420 Stainless Steel
15	CP17703-FRP	Trigger, Fiberglass Reinforced Polyester
16	CP19810	Trigger Guide, Brass
17	CP19815	Spring Guide, Brass
* 18	CP19817-302SS	Spring, Type 302 Stainless Steel
19	CP19816	Spring Retainer, Brass
20	CP19819-SS	Washer, Type 18-8 Stainless Steel
21	CP19818-IZP	Screw, Steel, Zinc Plated
22	CP19806-FRP	Trigger Lock, Fiberglass Reinforced Polyester
23	CP19805-CE	Lock Spring Ring, Celcon
	No. AA30-1/4	GunJet Spray Gun
	No. AA30W-1/4	GunJet Spray Gun - With "Weep" Feature
	AB30-KIT	Spare Parts Kit (Includes all items marked with *)
	AB30W-KIT	Spare Parts Kit (Includes all items marked with *)