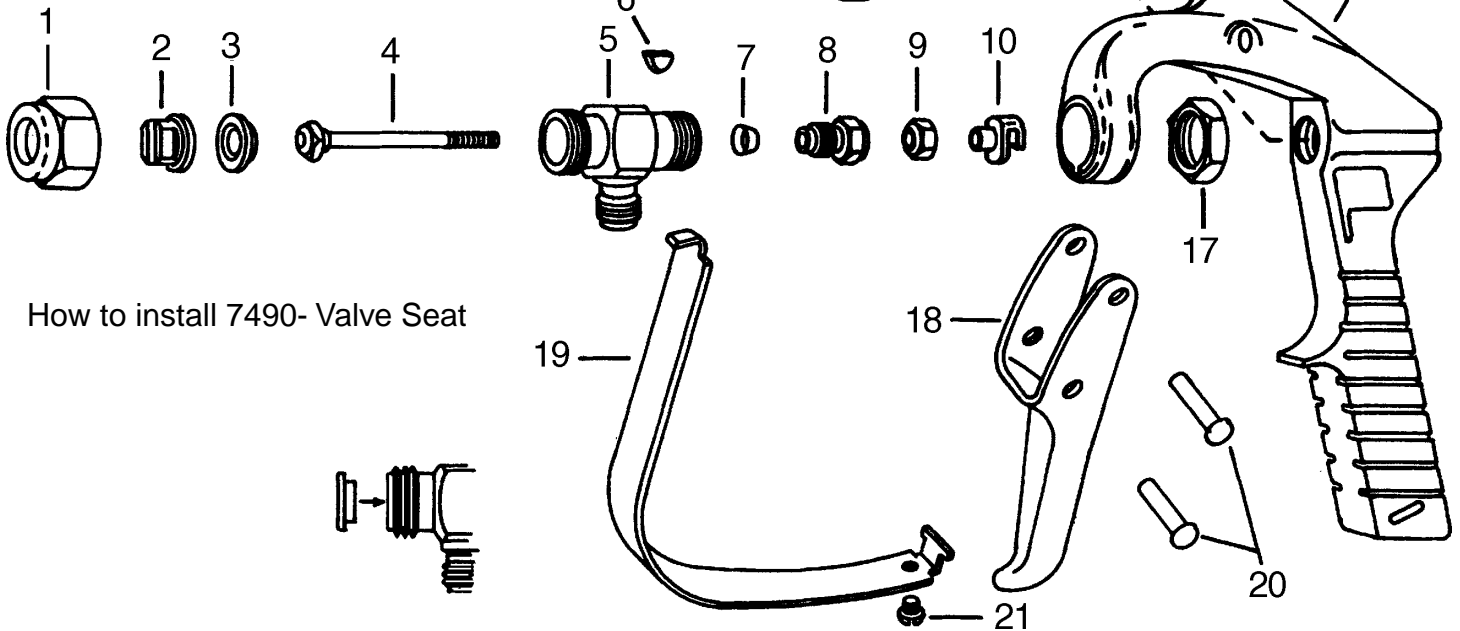


No. 23-H GUNJET



How to install 7490- Valve Seat

Item	Part No.		Description
	For 23H	For 23H-SS	
1	7890-NP	7890-SS	Cap, Brass-Nickel Plated or Stainless Steel
2			Spray Tip (Specify Type & Capacity)
*3	7490-CTEF	7490-SSCTEF	Valve Seat, Carbon filled teflon or stainless steel carbon filled teflon
*4	7482-1	7482-1-SS	Main Stem Assembly, Brass or Stainless Steel
5	16052-NP	16074-SS	Inlet Body, Brass-Nickel Plated or Stainless Steel
6	7892-IZP	7892-IZP	Key, Steel-Zinc Plated
*7	14255-1-BU	14255-1-BU	Cup Packing, Buna-N
8	16071-NP	16071-SS	Packing screw, brass-nickel plated or stainless steel
9	7484-INP	7484-INP	Stem nut, steel-nickel plated
10	7481-INP	7481-INP	Trigger guide, steel-nickel plated
11	7491-ALEF	7491-ALEF	Spring stud, aluminum-electrofilmed
12	9421-INP	9421-INP	Safety lock screw, steel-nickel plated
13	9422-AL	9422-AL	Safety lock cam, aluminum
14	9432-I	9423-I	Socket Head Set screw, steel
*15	16053-2-SS	16053-2-SS	Main spring, stainless steel
16	16054-1-AL	16054-1-AL	Body, Aluminum
17	7486-IZP	7486-SS	Lock Nut, steel-zinc plated or stainless steel
18	14252-INP	14252-INP	Trigger, steel-nickel plated
19	9539-INP	9539-INP	Trigger guard, steel-nickel plated
20	8038-IZP	8038-IZP	Rivet, Steel-zinc plated
21	9697-INP	9697-INP	Pan head screw, steel-nickel plated

#23H-Gunjet, for pressures up to 1000 PSI

#23H-SS-Gunjet, For pressures up to 1000 PSI

AB23H-KIT - Spare Parts Kit (For brass-nickel plated Gunjet) Includes all items marked with *

AB23H-SS-KIT - Spare Parts Kit (For stainless steel Gunjet) Includes all items marked with *